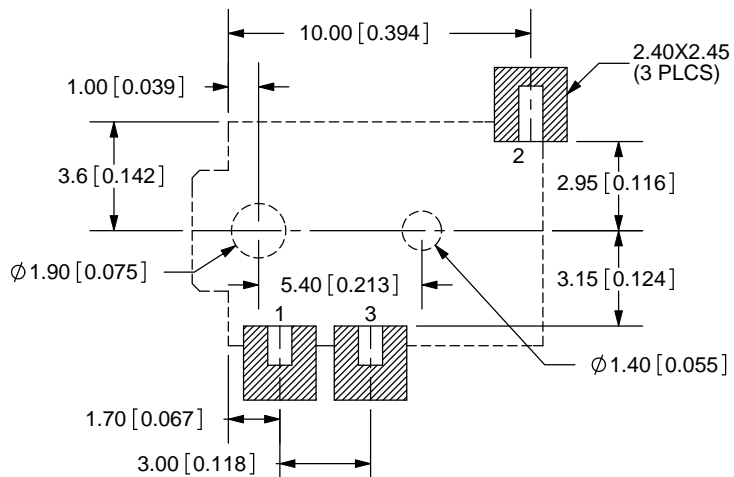
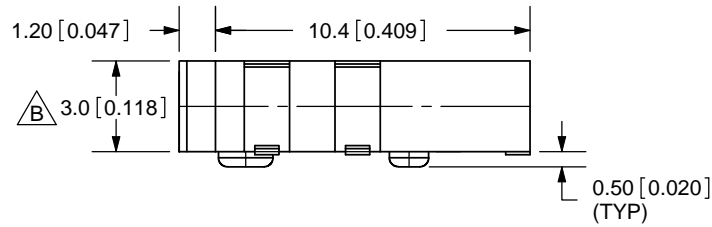
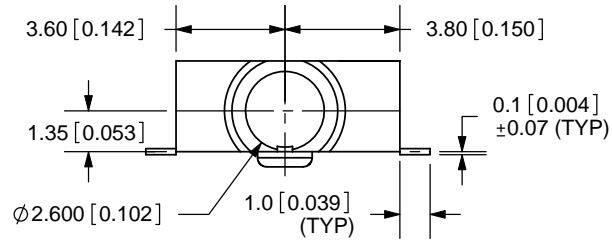
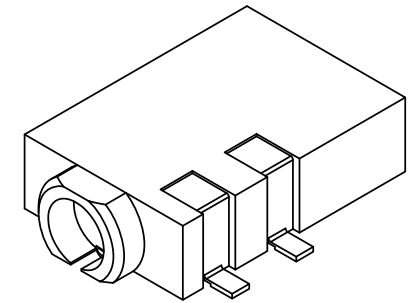
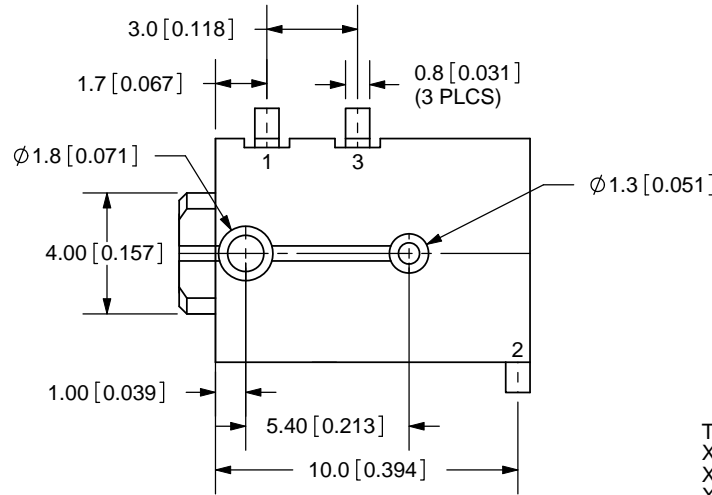


| REV. | DESCRIPTION | DATE |
|------|-----------------|------------|
| A | NEW DRAWING | 11/15/2005 |
| B | added dimension | 2/11/2008 |



PCB LAYOUT
TOP VIEW



TOLERANCE:
X.X ±0.2mm
X.XX ±0.1mm
X.XXX ±0.05mm



| MODEL NO. | SJ1-2533-SMT |
|-----------|--------------|
| SCHMATIC | |

SPECIFICATIONS:
 RATING: 16V DC @ 300mA
 CONTACT RESISTANCE: 30m OHMS MAX
 INSULATION RESISTANCE: 50M OHMS MIN: 500V DC
 VOLTAGE WITHSTAND: 500V AC R.M.S. FOR 1 MINUTE
 LIFE: 5,000 CYCLES



20050 SW 112th Ave.
 Tualatin, OR 97062
 Phone: 503-612-2300
 800-275-4899
 Fax: 503-612-2383
 Website: www.cui.com

| TERMINAL 1 | MATERIAL | PLATING | TITLE: | REV: |
|------------|--------------|---------|-----------------------------|--------------------|
| TERMINAL 1 | Copper Alloy | Gold | 2.5mm SMT AUDIO JACK-STEREO | B |
| TERMINAL 2 | Copper Alloy | Gold | PART NO. SJ1-2533-SMT | UNITS: MM [INCHES] |
| TERMINAL 3 | Copper Alloy | Gold | DRAWN BY: ZRJ | APPROVED BY: |
| HOUSING | PA6T | | | SCALE: 4:1 |

PC FILE NAME:
SJ1-2533-SMT

COPYRIGHT 2008 BY CUI INC.